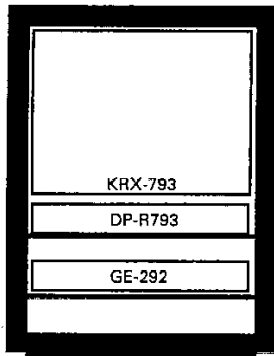


KENWOOD

SYSTEM 420 CONNECTIONS

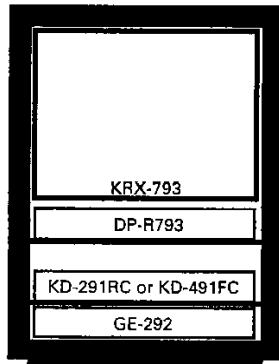
Order of rack mounting

SYSTEM 420



Audio rack SRC-503

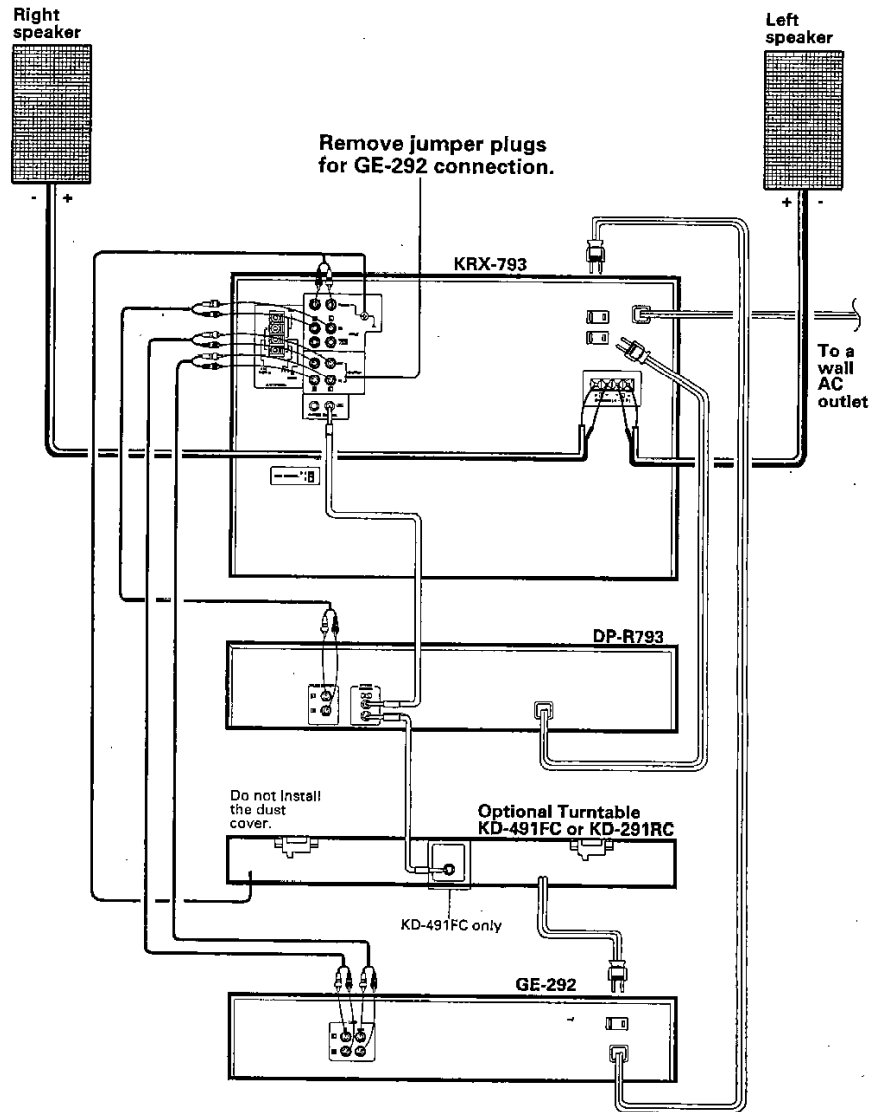
SYSTEM 420 + Turntable



To insure the optimum performance from your new KENWOOD components, please follow these simple instructions.

1. Place the receiver on top of the other components. This will provide adequate ventilation and it will "anchor" the rest of the components.
- For the antenna connection to the receiver, refer to the instructions provided with the receiver.

This figure shows the SYSTEM 420 equipped with optional turntable.



Be sure to insert the system control cord plugs fully into the SYSTEM CONTROL terminals.

